

HIGH PERFORMANCE ANTISLIP ANTIWEAR CAST METAL STAIR NOSING



DATA SHEET: SN9/HDLT/140®

DATE: Oct 2013

ISSUE: 2

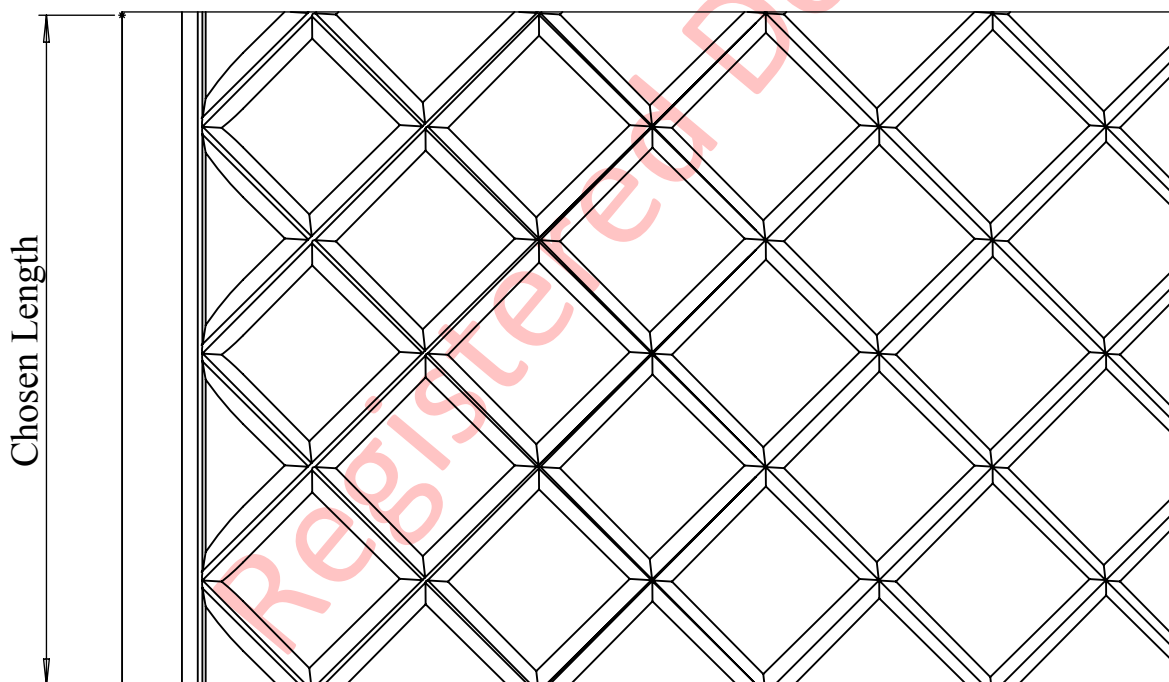
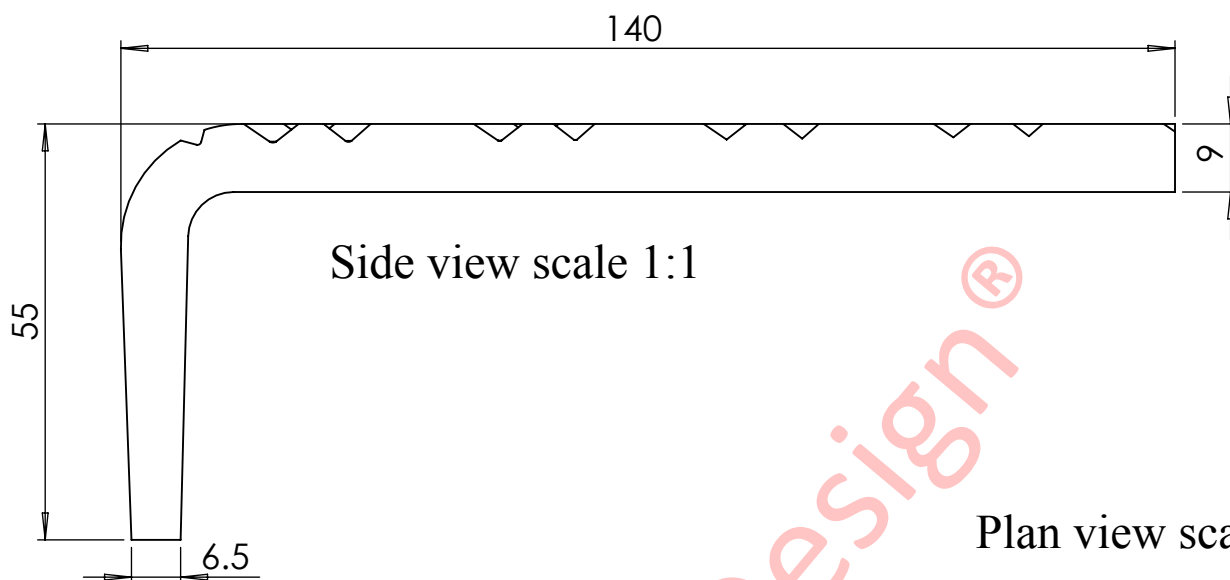
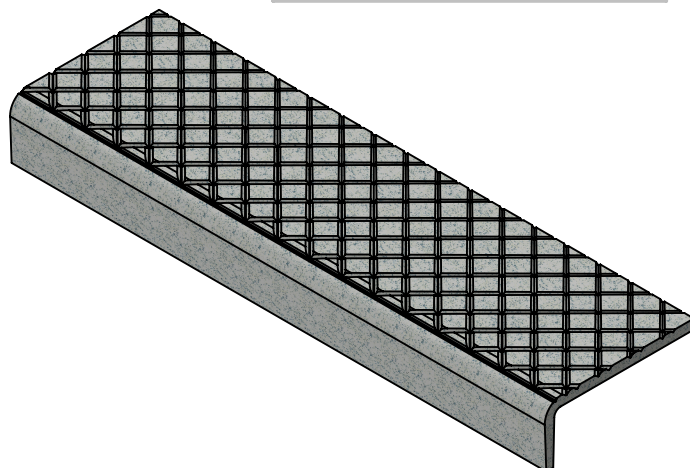
ITEM: Stair Nosing

Item: AATi™ type SN9/HDLT/140® - HDLT™ stair nosing with silicon carbide granules cast into the metal matrix of the wearing surface.

Application: Heavily used public stairs where safety and durability are required. Special surface finish and unique tapered groove pattern ensures safety in wet and dry conditions. Being a heavy duty product it provides the mass, stiffness and robustness necessary to consistently ensure a dependable, high quality, cost effective and long term installation.

Materials: Nickel Bronze, Gunmetal, Aluminium & Cast Iron.

HDLT™ : This is a registered design- Protected by European Registered Design No. 002178178-0001.



Special attention should be given to installation & drainage of this product. For further advice please speak to a member of AATi's technical department. Dimensions shown are nominal and subject to AATi manufacturing tolerances.